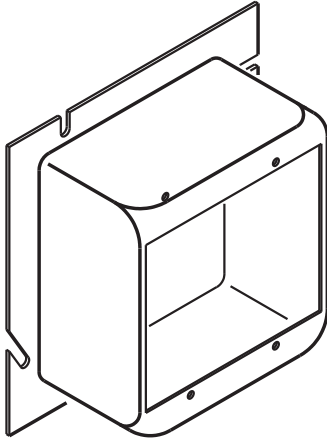




Making Communications & Fire Protection More Reliable and Cost-Effective!



Product Specifications:

Product Number L-52G200

5 SQUARE® Telecommunications Extension Ring

Product Description:

5 in. Square x Single Gang Extension Ring

Raise/Depth:

2"

Volume:

26 in³ (427 cm³)

Listing: C ETL US

Patented

Benefits of the 5 SQUARE® Roomy Design:

- Extension rings for standard device cover plates
- The only telecommunications backbox with an integral cable management system
- Proper designing of pathways and spaces insures cable and connecting hardware functionality
- Facilitates minimum bend radius requirements
- Assures proper cable environment
- Product installed according to manufacturers specifications will perform predictably
- The **5 SQUARE®** supports categories 5e, 6, Augmented 6, 7, and optical fiber cables
- With the use of the new **5 SQUARE®** backbox and ring, you are assured that evolving industry standards can be met, as future cabling and connecting products are introduced
- The **5 SQUARE®** Telecommunications Outlet Box – designed specifically by professional installers for telecommunications products

P.O. Box 14319
Spokane, WA. 99214-0319
Phone: (509) 340-0050
Fax: (509) 340-0051
www.randl-inc.com

